

## 6.3 cu. ft. Electric Slide-in Range



- ProBake Convection®
- EasyClean® + Self Clean
- 2 Dual Elements
- 3 Oven Racks
- Slide-in Design
- 6.3 cu ft. Large Capacity
- Storage Drawer
- SmartDiagnosis™



### COLOR AVAILABILITY

- LSE4613ST – Stainless Steel
- LSE4613BD – PrintProof™ Black Stainless Steel

### CAPACITY

Oven Capacity	6.3 cu. ft.
Drawer Capacity	0.8 cu. ft.

### OVEN FEATURES

Convection System	ProBake Convection®
Oven Cooking Modes	Bake, Broil, Convection Bake, Convection Roast, Favorites, Multi-Rack Convection Baking, Delay Back, Delay Clean, Proof, Warm, Speed Roast
Infrared Heating™ System	No
Air Sous Vide	No
Built-in Air Fry	No
Temperature Probe	No
Oven Racks	3 Standard
Number of Rack Positions	7
Broil Element	4,200W / 6 Pass
Convection Element	2,500W
Convection Conversion	Yes
EasyClean®	Yes
Self Clean	Yes
GoCook Smart Oven Light	Yes (1)
Door Lock	Yes
Automatic Safety Shut-Off	After 12 Hours

### DRAWER FEATURES

Type	Storage
------	---------

### COOKTOP FEATURES

Cooktop Type	Radiant
Number of Elements	5
Element Size / Wattage	
Left Front	Dual 9" / 6" – 3,200W / 1,400W (UltraHeat™)
Left Rear	6" / 1,200W
Center	7" / 100W
Right Front	Dual 12" / 9" – 2,700W / 1,700W
Right Rear	6" / 1,200W
Hot Surface LED Indicator	Yes

### CONTROLS

Cooktop Control Type	Front Tilt-Control Knobs
Oven Control Type	SmoothTouch™ Glass
Display	VFD (White)
Language	English
Kitchen Timer	Yes
Timed Cook	Yes
Clock	12 Hr or 24 Hr (Option)
Temperature Unit of Measure	°F or °C
Cooking Complete Reminder Volume	High, Low, Off
Oven Control Lock	Yes

### CONVENIENCE

ADA Compliant	Yes
Sabbath Mode	No

### SMART FEATURES

Wi-Fi Enabled	No
ThinQ®	No
SmartDiagnosis™	Yes
NFC Tag On	Yes

### FINISHES AND APPEARANCE

Fingerprint & Smudge Resistant Exterior	Yes (Black Stainless Only)
Cooktop Finish	Black Ceramic Glass w/Gray Pattern
Handle / Knobs	ST - Stainless Steel Appearance BD - Black Stainless Steel Appearance
Oven Door Feature	WideView™ Window

### TECHNICAL SPECS

Required Power Supply	120 / 208-240 V, 60 Hz, 3-Wire or 4-Wire
Minimum Circuit Rating	40 Amp
kW Rating at 208V	10.1 kW
kW Rating at 240V	13.5 kW
Power Cord	Not Included
Electrical Receptacle	4-Wire (14-50R) / 3-Wire (10-50R)
Power Outlet Location	See Installation Diagram

### INCLUDED ACCESSORIES

3 Standard Racks, Rear EasyClean® Kit (Spray Bottle & Scouring Pad), Cooktop Cleaner

### OPTIONAL ACCESSORIES

Slide-in Range Filler Kit (Side Gaps) LSFL301S

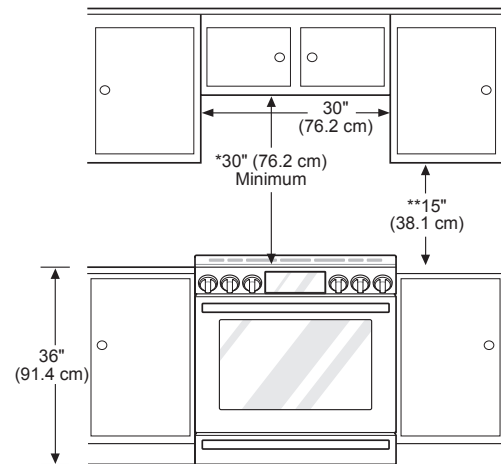
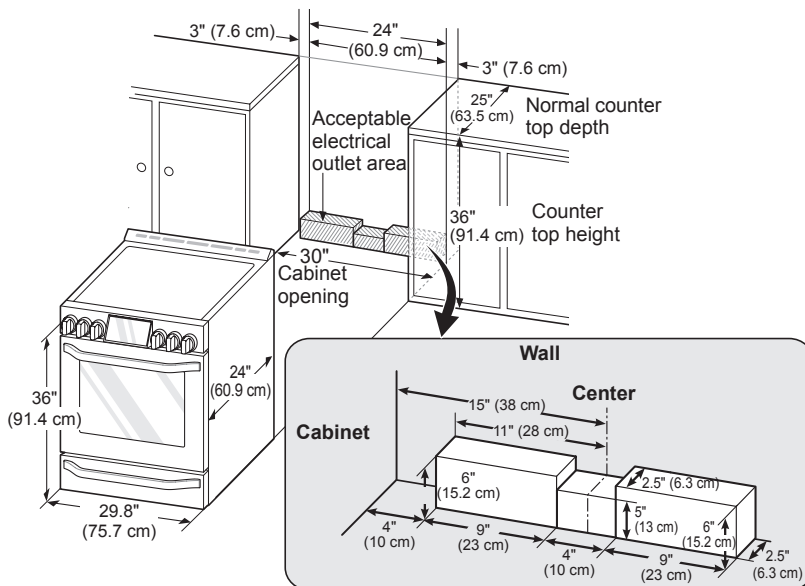
### DIMENSIONS / CLEARANCES / WEIGHTS

Product Dimensions (W x H x D w/Handle)	29 7/8" x 37 7/8" x 28 15/16"
Product Height to Cooking Surface	36"
Cutout Dimensions (W x H x D)	30" x 36" x 25"
Carton Dimensions (W x H x D)	32 1/2" x 45 1/2" x 30 1/2"
Approx. Weight (Product / Carton)	194 lbs. / 223 lbs.

### LIMITED WARRANTY

Parts and Labor	1 Year
-----------------	--------

### DIMENSIONS / CLEARANCES



### MINIMUM DIMENSIONS

\*30" (76.2 cm) minimum clearance between the top of the cooking surface and the bottom of an unprotected wood or metal cabinet; or 24" (60.9 cm) minimum when bottom of wood or metal cabinet is protected by not less than 1/4" (6.4 cm) flame retardant millboard covered with not less than no. 28 MSG sheet steel, 0.015" (0.381 mm) stainless steel, 0.024" (0.610 mm) aluminum or 0.020" (0.508 mm) copper.

\*\*15" (38.1 cm) minimum between countertop and adjacent cabinet bottom.